












* stand not included

Conforms to 4(09)-21(I)
Clarification of RRFB Flashing Pattern

Applications

-  **School Zones**
Slow drivers down and keep them alert as they pass through school zones.
-  **Construction Zones**
Alert drivers as they approach construction sites.
-  **Playground Zones**
Remind drivers to slow down for playground zones.

Benefits

-  **High Quality** Proudly designed and manufactured in North America.
-  **Clean Technology** Solar-powered and wireless to save on power bills and end roadway trenching.
-  **Reliable** Energy management system to ensure operation under all environmental conditions.
-  **Simple** Installs in minutes to minimize traffic disruption and allow for relocation and re-purposing.
-  **Flexible** Adjustable flash pattern and activation duration to control varying traffic conditions.
-  **Elegant** Self-contained, cabinet-free, discrete design to enhance streetscapes and inhibit vandalism.

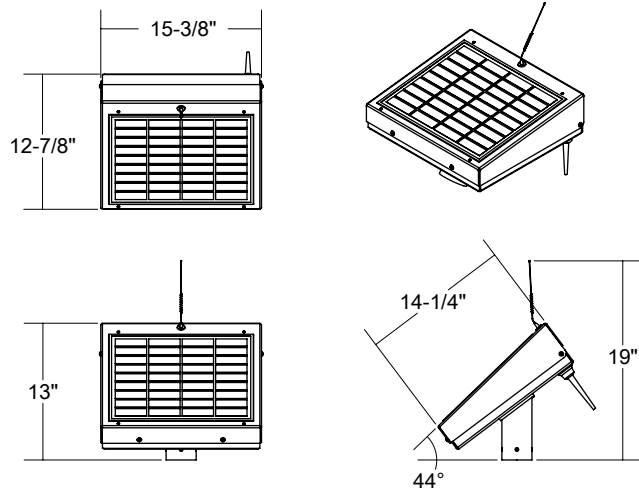
Introduction To School Zone Beacons

These beacons can be installed anywhere with GPRS cell phone reception and places without (via direct connection). A preset flash schedule can be created using the JSF Tech School Zone Scheduler website and then be sent to the beacons wirelessly or in person. The scheduling website can accommodate multiple years of operation, including special events for extra use and days off. Spontaneous activations and commands can also be carried out with mobile devices.

Each School Zone set is made up of two beacon types. The "Primary Beacon" contains a cell phone modem and stores the annual flash schedule. The "Secondary beacons" receive daily on/off signals from the primary beacon. Any number of secondary beacons can be associated to a primary beacon. When a primary beacon receives an instant activation command or encounters a scheduled activation period, the primary beacon relays the activation command to all secondary beacons.

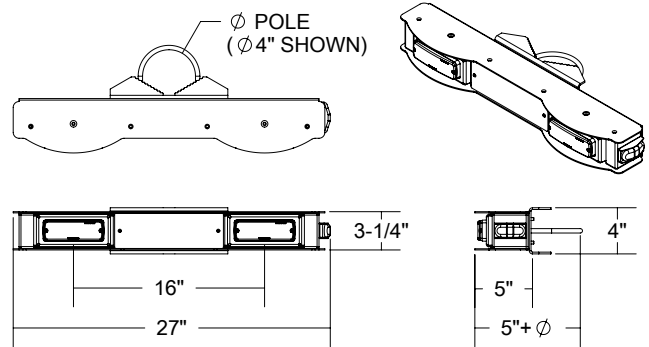
Rectangular Rapid Flashing Beacon, 2 LED - Single sided.

Solar Engine

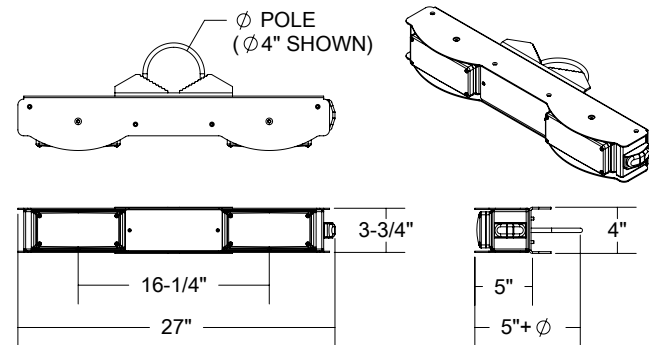


Dimensions are in Inches $\pm 1/16$ "

SZ-9205 Signal Head (2" x 5" LEDs)



SZ-9207 Signal Head (3" x 7" LEDs)



Specifications

System Overview

Certification	CSA and UL certified electrical components
Compliance	FHWA MUTCD compliant
Operation	Adjustable computer schedule and Mobile device activation
Flash pattern	MUTCD RRFB Pulsing Pattern
Operating temperature	-40°F to +165°F (-40°C to +74°C)
Controller input voltage	12 V DC
Controller output voltage	9 – 20 V DC
Solar panel	10 W nominal, 12 V, CSA certified
Battery storage	AGM 12 V, 10 Ah, UL certified, field replaceable
Alternate power	AC / Solar hybrid available

Power Management

Rated usage	120 mins of activation per day (average)
Charged capacity	16 days at rated usage (without charging)
Auto brightness	Auto brightness for nighttime conditions (no daytime dimming)
Customizable	Automatic brightness disabled on request
Self monitoring	Visual notification of sub-optimal operation

LED Module

Standard	SAE J595 (Class 1) certified
Size	Approx — 2" x 5" or 3" x 7"
Horizontal LED pivot	20° off center
LED color	Amber or red
Tell-tale LED	Amber, approx – 1" x 2"

Communication—Inter-Beacon

Between beacons	ISM spread spectrum radio, 902-928 MHz
Range	Up to 0.5 miles (800 m) with line of sight
Network addresses	8 unique addresses to avoid interference between multiple locations
Compatibility	All SZ family beacons

Communication—Primary Beacons (-P)

Incoming commands	Cell phone communication (requires GPRS cellular coverage) or via direct connection
-------------------	---

A primary beacon receives preset schedules from the JSF Tech School Zone Scheduler website and receives instant activation messages from authorized cell phone users.

Communication—Secondary Beacons (-S)

Incoming commands	Relies on the primary beacon's commands
-------------------	---

A secondary beacon relies on its primary beacon for all activation commands.

Physical Design

Design	Two piece system: beacon and solar engine
Color	Black, green or yellow
Signal head	6061-T6 powder coated aluminum
Solar engine	6061-T6 powder coated aluminum
Weight	Approx — 30 lbs. (13.5 kg)
Available mounting for	Poles: 2" – 8" Side mounting

Warranty

5-year Limited Warranty for defects in workmanship and materials (excludes batteries and vandalism)

Contact



JSF Technologies is backed by a select group of resellers. To find a representative in your region please contact us:

+1.250.544.1640

+1.800.990.2454

www.jsftech.com

Rev C — November 25, 2013

*Specifications subject to change without notice.



www.solarwindsenergy.com