










## School Zone Beacon: 7400 Series SZ-7408-P, SZ-7408-S, SZ-7412-P, SZ-7412-S



### Applications

-  **School Zones**  
Slow drivers down and keep them alert as they pass through school zones.
-  **Construction Zones**  
Alert drivers as they approach construction sites.
-  **Playground Zones**  
Remind drivers to slow down for playground zones.

### Benefits

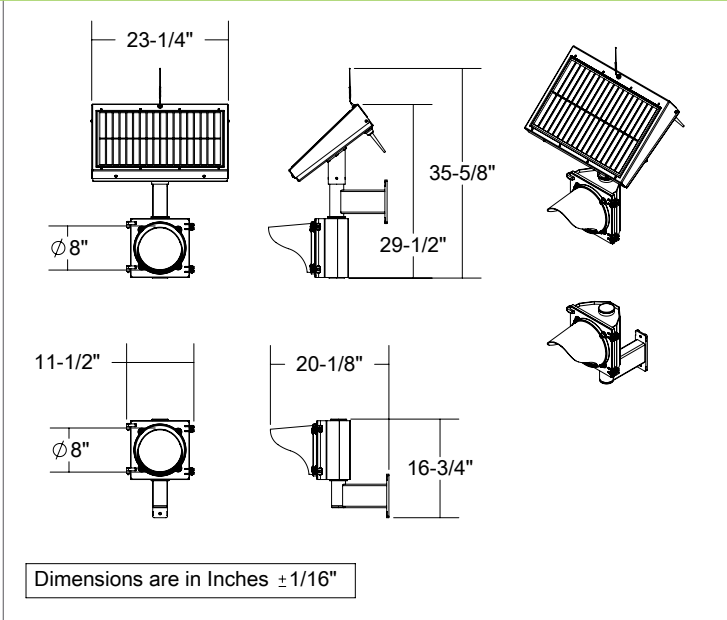
-  **High Quality** Proudly designed and manufactured in North America.
-  **Clean Technology** Solar-powered and wireless to save on power bills and end roadway trenching.
-  **Reliable** Energy management system to ensure operation under all environmental conditions.
-  **Simple** Installs in minutes to minimize traffic disruption and allow for relocation and re-purposing.
-  **Flexible** Adjustable flash pattern and activation duration to control varying traffic conditions.
-  **Elegant** Self-contained, cabinet-free, discrete design to enhance streetscapes and inhibit vandalism.

### Introduction To School Zone Beacons

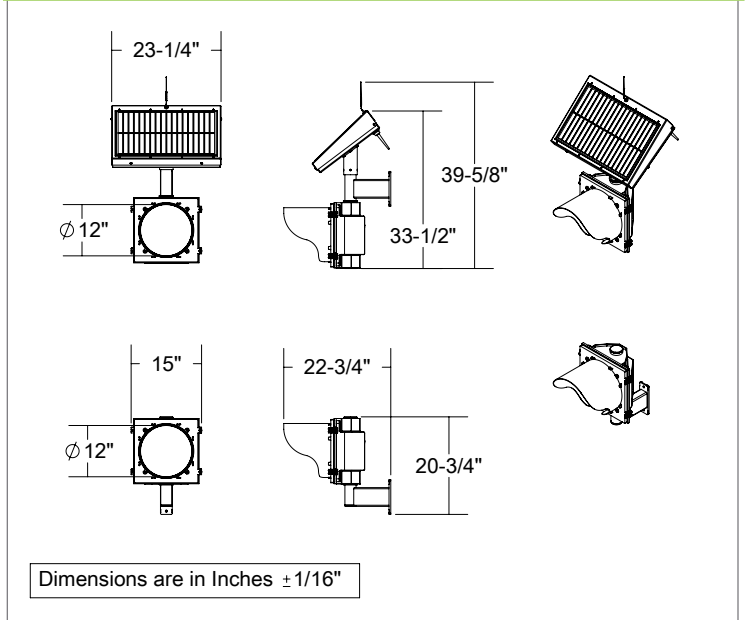
These beacons can be installed anywhere with cell phone reception and places without (via direct connection). A preset flash schedule can be created using the JSF Tech School Zone Scheduler website and then be sent to the beacons wirelessly or in person. The scheduling website can accommodate multiple years of operation, including special events for extra use and days off. Spontaneous activations and commands can also be carried out with mobile devices.

Each School Zone set is made up of two beacon types. The "Primary Beacon" contains a cell phone modem and stores the annual flash schedule. The "Secondary beacons" receive daily on/off signals from the primary beacon. Any number of secondary beacons can be associated to a primary beacon. When a primary beacon receives an instant activation command or encounters a scheduled activation period, the primary beacon relays the activation command to all secondary beacons.

## SZ-7408 Dual 8", vertical pole mounting.



## SZ-7412 Dual 12", vertical pole mounting.



## Specifications

### System Overview

Certification	CSA and UL certified electrical components
Compliance	FHWA MUTCD compliant
Operation	Adjustable computer schedule and Mobile device activation
Flash patterns	MUTCD (0.5 second on, 0.5 second off) or JSF Tech High Visibility Strobe Pattern
Variations	Synchronized or Wig-Wag (alternating)
Operating temperature	-40°F to +165°F (-40°C to +74°C)
Controller input voltage	12 V DC
Controller output voltage	12 V DC
Solar panel	20 W nominal, 12 V, CSA certified
Battery storage	AGM 12 V, 20 Ah, UL certified, field replaceable
Alternate power	AC / Solar hybrid available

### Power Management

Rated usage	120 mins of activation per day (average)
Charged capacity	25 days at rated usage (without charging)
Auto brightness	6 stages of brightness for different light conditions and battery levels
Customizable	Automatic brightness disabled on request
Self monitoring	Visual notification of sub-optimal operation

### LED Module

Standard	ITE VTCSH-STD 2005
Lens	UV stabilized polycarbonate and Abrasion resistant
Size	8" or 12" diameter (200 mm or 300 mm)
LED color	Amber

### Communication—Inter-Beacon

Between beacons	ISM spread spectrum radio, 902-928 MHz
Range	Up to 0.5 miles (800 m) with line of sight
Network addresses	8 unique addresses to avoid interference between multiple crosswalk locations
Compatibility	All SZ family beacons

### Communication—Primary Beacons (-P)

Incoming commands	Cell phone communication (requires cell phone reception) or via direct connection
-------------------	---

*A primary beacon receives preset schedules from the JSF Tech School Zone Scheduler website and receives instant activation messages from authorized cell phone users.*

### Communication—Secondary Beacons (-S)

Incoming commands	Relies on the primary beacon's commands
-------------------	---

*A secondary beacon relies on its primary beacon for all activation commands.*

### Physical Design

Configuration	Fully self-contained
Color	Black, green or yellow
Solar engine	6061-T6 powder coated aluminum
Signal housing	Polycarbonate
Weight	Approx — 48–54 lbs. (22–24 kg)
Available mounting	Mid-pole side mount

### Warranty

5-year Limited Warranty for defects in workmanship and materials (excludes batteries and vandalism)

## Contact

JSF Technologies is backed by a select group of resellers around the globe. To find a representative in your region please contact us:



+1.250.544.1640  
+1.800.990.2454  
www.jsftech.com



www.solarwindenergy.com