

## STANDBY GENERATORS

# 11 kW / 15 kW / 20 kW

## AIR-COOLED GENERATOR SETS

### Standby Power Rating

Model 006442-0 (Aluminum - Dark Gray) - 11 kW 60Hz

Model 006261-0 (Aluminum - Dark Gray) - 15 kW 60Hz

Model 006262-0 (Aluminum - Dark Gray) - 20 kW 60Hz



## INCLUDES

- PrecisionPower™ Electrical Technology
- Two Line LCD Multi-lingual Digital Controller (English/Spanish/French/Portuguese)
- Electronic Governor
- External Main Circuit Breaker, System Status & Maintenance Interval LED Indicators
- Flexible Fuel Line Connector
- GFCI Duplex Outlet
- WhisperCheck™ Exercise (11, 15 & 20kW)
- Includes Mobile Link™ Monitoring System
- Composite Mounting Pad
- Aluminum Enclosure
- Base Fascia
- Natural Gas or LP Gas Operation
- 5 Year Comprehensive Warranty
- UL 2200 Listed



## FEATURES

- **INNOVATIVE DESIGN & PROTOTYPE TESTING** are key components of our success in "IMPROVING POWER BY DESIGN." But it doesn't stop there. Total commitment to component testing, reliability testing, environmental testing, destruction and life testing, plus testing to applicable CSA, NEMA, EGSA, and other standards, allows you to choose Honeywell generators with the confidence that these systems will provide superior performance.
- **TEST CRITERIA**
  - ◆ PROTOTYPE TESTED
  - ◆ SYSTEM TORSIONAL TESTED
  - ◆ NEMA MG1-22 EVALUATION
  - ◆ MOTOR STARTING ABILITY
- **PrecisionPower™ ELECTRICAL TECHNOLOGY** Superior harmonics and sine wave form produce less than 5% Total Harmonic Distortion for utility quality power. This allows confident operation of sensitive electronic equipment and micro-chip based appliances, such as variable speed HVAC.
- **SOLID-STATE, FREQUENCY COMPENSATED VOLTAGE REGULATION** This state-of-the-art power maximizing regulation system is standard on all Honeywell models. It provides optimized FAST RESPONSE to changing load conditions and MAXIMUM MOTOR STARTING CAPABILITY by electronically torque-matching the surge loads to the engine. Digital voltage regulation at +/- 1%.
- **SINGLE SOURCE SERVICE RESPONSE** from our extensive dealer network provides parts and service know-how for the entire unit, from the engine to the smallest electronic component.
- **Honeywell® TRANSFER SWITCHES** The Honeywell® generator line offers its own transfer systems and controls for total system compatibility.
- **Mobile Link Cellular Monitoring System** - Mobile Link is the new cellular remote monitoring system that lets you check your generator's status even when you are away using your computer, tablet or smart phone. With Mobile Link, you will always know exactly what your generator is doing when you are on the go.

# 11 kW / 15 kW / 20 kW

## AIR-COOLED GENERATOR SETS

### ENGINE

<ul style="list-style-type: none"><li>• Generac OHVI® design</li><li>• “Spiny-lok” cast iron cylinder walls</li><li>• Electronic ignition/spark advance</li><li>• Full pressure lubrication system</li><li>• Low oil pressure shutdown system</li><li>• High temperature shutdown</li></ul>	<p>Maximizes engine “breathing” for increased fuel efficiency. Plateau honed cylinder walls and plasma moly rings help the engine run cooler, reducing oil consumption resulting in longer engine life.</p> <p>Rigid construction and added durability provide long engine life.</p> <p>These features combine to assure smooth, quick starting every time.</p> <p>Pressurized lubrication to all vital bearings means better performance, less maintenance and longer engine life. Now featuring up to a 2 year/200 hour oil change interval.</p> <p>Superior shutdown protection prevents catastrophic engine damage due to low oil.</p> <p>Prevents damage due to overheating.</p>
---	---

### GENERATOR

<ul style="list-style-type: none"><li>• Revolving field</li><li>• Skewed stator</li><li>• Displaced phase excitation</li><li>• Automatic voltage regulation</li><li>• UL 2200 listed</li></ul>	<p>Allows for smaller, light weight unit that operates 25% more efficiently than a revolving armature generator.</p> <p>Produces a smooth output waveform for compatibility with electronic equipment.</p> <p>Maximizes motor starting capability.</p> <p>Regulates the output voltage to <math>\pm 1\%</math> prevents damaging voltage spikes.</p> <p>For your safety.</p>
--	--

### TRANSFER SWITCH

Sold separately

### CONTROLS

<ul style="list-style-type: none"><li>• Auto/Manual/Off illuminated buttons</li><li>• Sealed, raised buttons</li><li>• Utility voltage sensing</li><li>• Generator voltage sensing</li><li>• Utility interrupt delay</li><li>• Engine warm-up</li><li>• Engine cool-down</li><li>• Programmable seven day exerciser</li><li>• Smart battery charger</li><li>• Main line circuit breaker</li><li>• Electronic governor</li></ul>	<p>Selects the operating mode and provides easy, at-a-glance status indication in any condition.</p> <p>Smooth, weather-resistant user interface for programming and operations.</p> <p>Constantly monitors utility voltage, setpoints 60% dropout, 80% pick-up, of standard voltage.</p> <p>Constantly monitors generator voltage to ensure the cleanest power delivered to the home.</p> <p>Prevents nuisance start-ups of the engine, adjustable 2-1500 seconds from the factory default setting of 10 seconds by a qualified dealer.</p> <p>Ensures engine is ready to assume the load, setpoint approximately 5 seconds.</p> <p>Allows engine to cool prior to shutdown, setpoint approximately 1 minute.</p> <p>Operates engine to prevent oil seal drying and damage between power outages by running the generator for 12 minutes every week.</p> <p>Delivers charge to the battery only when needed at varying rates depending on outdoor air temperature.</p> <p>Protects generator from overload.</p> <p>Maintains constant 60 Hz frequency.</p>
---	---

### UNIT

<ul style="list-style-type: none"><li>• Aluminum weather protective enclosure</li><li>• Enclosed critical grade muffler</li><li>• Small, compact, attractive</li></ul>	<p>Provides protection against mother nature. Hinged key locking roof panel for security. Lift-out front for easy access to all routine maintenance items. Electrostatically applied textured epoxy paint for added durability.</p> <p>Quiet, critical grade muffler is mounted inside the unit to prevent injuries.</p> <p>Makes for an easy, eye appealing installation.</p>
--	--

### INSTALLATION SYSTEM

<ul style="list-style-type: none"><li>• 1ft. (305mm) flexible fuel line connector</li><li>• Composite mounting pad</li></ul>	<p>Easy installation.</p>
--	---------------------------

GENERATOR	Model 006442-0 (11 kW)	Model 006261-0 (15 kW)	Model 006262-0 (20 kW)
Rated Maximum Continuous Power Capacity (LP)	11,000 Watts*	15,000 Watts*	20,000 Watts*
Rated Maximum Continuous Power Capacity (NG)	10,000 Watts*	15,000 Watts*	18,000 Watts*
Rated Voltage	240	240	240
Rated Maximum Continuous Load Current – 240V (LP/NG)	45.8/41.7	62.5/62.5	83.3/75
Total Harmonic Distortion	Less than 5%	Less than 5%	Less than 5%
Main Line Circuit Breaker	50 Amp	65 Amp	90 Amp
Phase	1	1	1
Number of Rotor Poles	2	2	2
Rated AC Frequency	60Hz	60Hz	60Hz
Power Factor	1.0	1.0	1.0
Battery Requirement (not included)	Group 26R, 12 Volts and 525 CCA Minimum		
Unit Weight (Pounds/Kilos)	373/169.2	437/198.2	451/204.6
Dimensions (L x W x H) in./mm	48 x 25 x 29/1218 x 638 x 732		
Sound output in dB(A) at 23 ft. (7m) with generator operating at normal load	63	66	66
Sound output in dB(A) at 23 ft. (7m) with generator in WhisperCheck™ low speed exercise mode	57	60	60

ENGINE	GENERAC OHVI	GENERAC OHVI V-TWIN	GENERAC OHVI V-TWIN
Type of Engine	GENERAC OHVI	GENERAC OHVI V-TWIN	GENERAC OHVI V-TWIN
Number of Cylinders	2	2	2
Displacement	530cc	992cc	999cc
Cylinder Block	Aluminum w/Cast Iron Sleeve	Aluminum w/Cast Iron Sleeve	Aluminum w/Cast Iron Sleeve
Valve Arrangement	Overhead Valve	Overhead Valve	Overhead Valve
Ignition System	Solid-state w/Magneto	Solid-state w/Magneto	Solid-state w/Magneto
Governor System	Electronic	Electronic	Electronic
Compression Ratio	9.5:1	9.5:1	9.5:1
Starter	12 Vdc	12 Vdc	12 Vdc
Oil Capacity Including Filter	Approx. 1.7 Qts./1.6L	Approx. 1.9 Qts./1.8L	Approx. 1.9 Qts./1.8L
Operating RPM	3,600	3,600	3,600
Fuel Consumption			
Natural Gas	ft <sup>3</sup> /hr (m <sup>3</sup> /hr)		
	1/2 Load	185 (5.24)	205 (5.8)
	Full Load	296 (8.38)	308 (8.72)
Liquid Propane	ft <sup>3</sup> /hr (gal/hr) [Liters/hr]		
	1/2 Load	66.4 (1.83) [6.91]	75.6 (2.08) [7.87]
	Full Load	104 (2.86) [10.82]	140 (3.85) [14.57]

Note: **Fuel pipe must be sized for full load.** Required fuel pressure to generator fuel inlet - 3.5-7" water column (7-13mm mercury) for natural gas, 10-12" water column (19-22mm mercury) for LP gas. For Btu content, multiply ft<sup>3</sup>/hr x 2500 (LP) or ft<sup>3</sup>/hr x 1000 (NG). For Megajoule content, multiply m<sup>3</sup>/hr x 93.15 (LP) or m<sup>3</sup>/hr x 37.26 (NG).

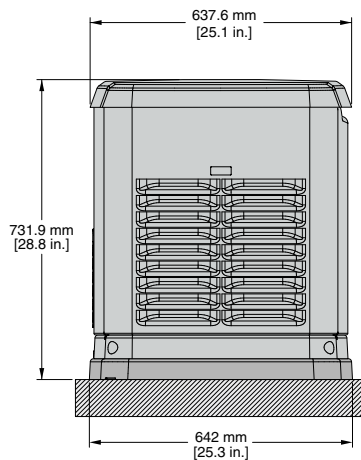
CONTROLS	
2-Line Plain Text Multi-Lingual LCD Display	Simple user interface for ease of operation.
Mode Buttons: Auto	Automatic Start on Utility failure. 7 day exerciser.
Manual	Start with starter control, unit stays on. If utility fails, transfer to load takes place.
Off	Stops unit. Power is removed. Control and charger still operate.
Ready to Run/Maintenance Messages	Standard
Engine Run Hours Indication	Standard
Programmable start delay between 2-1500 seconds	Standard (programmable by dealer only)
Utility Voltage Loss/Return to Utility Adjustable	From 140-171V/190-216V
Future Set Capable Exerciser/Exercise Set Error Warning	Standard
Run/Alarm/Maintenance Logs	50 Events Each
Engine Start Sequence	Cyclic cranking: 16 sec. on, 7 rest (90 sec. maximum duration).
Starter Lock-out	Starter cannot re-engage until 5 sec. after engine has stopped.
Smart Battery Charger	Standard
Charger Fault/Missing AC Warning	Standard
Low Battery/Battery Problem Protection and Battery Condition Indication	Standard
Automatic Voltage Regulation with Over and Under Voltage Protection	Standard
Under-Frequency/Overload/Stepper Overcurrent Protection	Standard
Safety Fused/Fuse Problem Protection	Standard
Automatic Low Oil Pressure/High Oil Temperature Shutdown	Standard
Overcrank/Overspeed (@ 72Hz)/RPM Sense Loss Shutdown	Standard
High Engine Temperature Shutdown	Standard
Internal Fault/Incorrect Wiring Protection	Standard
Common External Fault Capability	Standard
Field Upgradable Firmware	Standard

Rating definitions - Standby: Applicable for supplying emergency power for the duration of the utility power outage. No overload capability is available for this rating. (All ratings in accordance with BS5514, ISO3046 and DIN6271). \* Maximum wattage and current are subject to and limited by such factors as fuel Btu/megajoule content, ambient temperature, altitude, engine power and condition, etc. Maximum power decreases about 3.5 percent for each 1,000 feet (304.8 meters) above sea level; and also will decrease about 1 percent for each 6° C (10° F) above 16° C (60° F). Sound output ratings from certain points on the generator subject to change based on installation parameters.

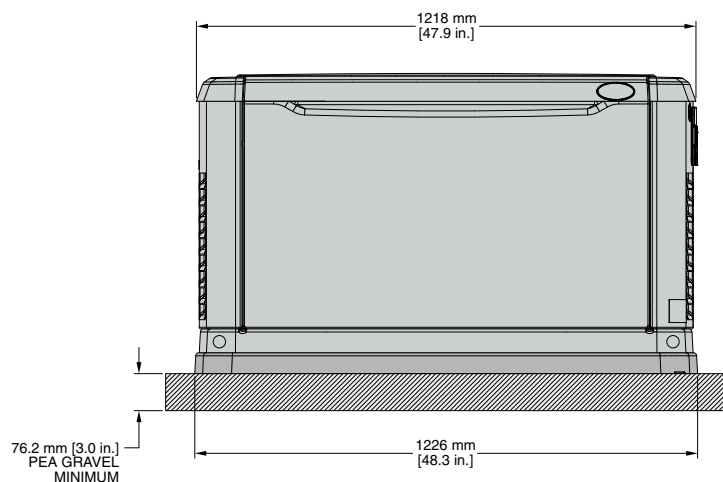
## AVAILABLE ACCESSORIES

Model #	Product	Description
5819	26R Wet Cell Battery	Every standby generator requires a battery to start the system. Honeywell offers the recommended 26R wet cell battery for use with all air-cooled standby product.
6212	Cold Weather Kit	If the temperature regularly falls below 32°F (0°C), install a cold weather kit to maintain optimal battery and oil temperatures. Kit consists of a battery warmer and oil filter heater with built-in thermostats.
5621	Auxillary Transfer Switch Contact Kit	The auxiliary transfer switch contact kit allows the transfer switch to lock out a single large electrical load you may not need.
6160	Paint Kit	If the generator enclosure is scratched or damaged, it is important to touch-up the paint to protect from future corrosion. The paint kit includes the necessary paint to properly maintain or touch-up a generator enclosure.
6483 (11kW) 6484 (15kW) 6485 (20kW)	Scheduled Maintenance Kit	Honeywell's scheduled maintenance kits provide all the hardware necessary to perform complete routine maintenance on a Honeywell automatic standby generator.
6200	PMM Starter Kit	The PMM Starter Kit consists of a 24VAC, field installed transformer that enables the use of the 24VAC Power Management Modules (PMMs) and one PMM. The standard controller (without starter kit) can control two HVAC loads with no additional hardware.
6187	Power Management Module (50 Amps)	Power Management Modules are used in conjunction with the Sync Smart Switch to increase its power management capabilities. It gives the Sync Smart Switch additional power management flexibility not found in any other transfer switch.

## DIMENSIONS



LEFT SIDE VIEW



FRONT VIEW



9 Myers Avenue Industrial Park  
Clarenceville, NJ A5A 1T5  
T (709) 466-5411  
F (709) 466-5411  
www.solarwindsenergy.com  
info@solarwindsenergy.com

**Generac Power Systems, Inc.**  
S45 W29290 Hwy. 59  
Waukesha, WI 53187  
Tel: 1-855-GEN-INFO  
honeywellgenerators.com

**Honeywell**

0198040SBY-D  
April 2013  
© Generac Power Systems, Inc. All rights reserved.  
Specifications subject to change without notice.  
The Honeywell Trademark is used under license from Honeywell International Inc.  
Honeywell International Inc. makes no representation or warranties with respect to this product.