








* stand not included









Conforms to 4(09)-41(I)—Additional Flash Pattern for RRFBs

Applications

This pedestrian-activated or remote-activated crosswalk beacon is the perfect solution for temporary or permanent locations:

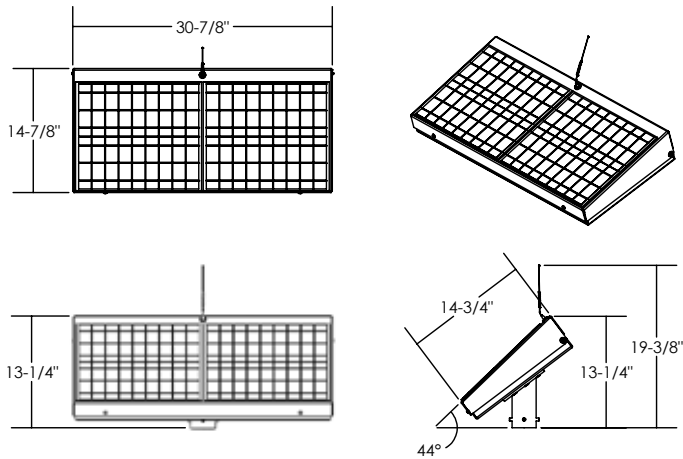
-  **Crosswalks** Great for any mid-block or uncontrolled crosswalk.
-  **Fire Stations** Give your emergency vehicles a chance to enter the roadway by alerting drivers.
-  **Parking Lots** From shopping malls to private industrial sites, they're all a hazard for pedestrians.
-  **Construction Sites** Aid pedestrians in crossing away from construction sites and closed sidewalks.
-  **College Campuses** Busy and packed with pedestrians.

Benefits

-  **High Quality** Proudly designed and manufactured in North America.
-  **Clean Technology** Solar-powered and wireless to save on power bills and end roadway trenching.
-  **Reliable** Energy management system to ensure operation under all environmental conditions.
-  **Simple** Installs in minutes to minimize traffic disruption and allow for relocation and re-purposing.
-  **Flexible** Adjustable activation duration to meet the needs of various traffic conditions.
-  **Elegant** Self-contained, cabinet-free, discrete design to enhance streetscapes and inhibit vandalism.

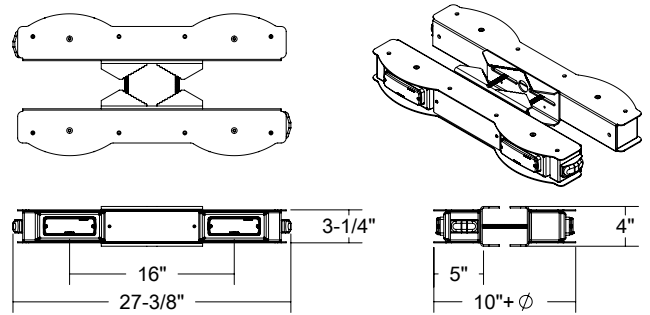
Rectangular Rapid Flashing Beacon, 4 LED - Double sided.

Solar Engine

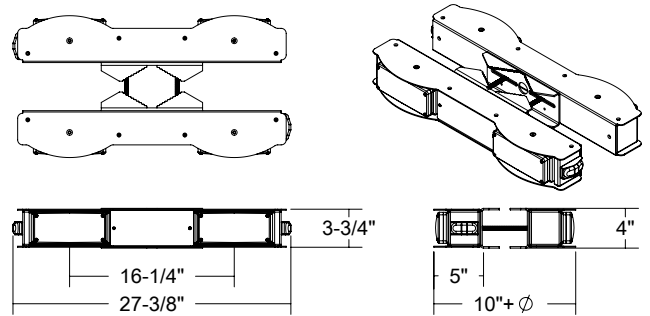


Dimensions are in Inches $\pm 1/16"$

AB-9405 Signal Head (2" x 5" LEDs)



AB-9407 Signal Head (3" x 7" LEDs)



Specifications

System Overview

Certification	CE and UL certified electrical components, NEMA TS 2-2003 certified, SAE J595 (class 1) & SAE J578 certified LEDs
Compliance	FHWA MUTCD compliant FCC EMC Class A verified
Operation	Pedestrian push button or remote activated
Flash pattern	MUTCD RRFB Pulsing Pattern
Activation duration	Variable from 5 seconds to 60 minutes
Operating temperature	-40°F to +165°F (-40°C to +74°C)
Controller input voltage	12 V DC
Controller output voltage	9 – 20 V DC
Solar panel	32-40 W nominal 12 V, CE and TUV certified
Battery storage	AGM 12 V, 36 Ah, UL certified, field replaceable, Optional cold weather battery upgrade
Alternate power	AC / Solar hybrid available (hybrid includes "Battery Tender® 800"), AC-Only available

Power Management

Rated usage	300 cycles per day, 20 second activation
Charged capacity	Minimum of 20 days at rated usage (without charging)
Auto brightness	Auto brightness for nighttime conditions (no daytime dimming)
Customizable	Automatic brightness disabled on request
Self monitoring	Visual notification of sub-optimal operation

LED Module

Standard	SAE J595 (Class 1) certified
Size	Approx — 2" x 5" or 3" x 7"
Horizontal LED pivot	20° off center
LED color	Amber or red
Tell-tale LED	Amber, approx – 1" x 2"

Communication

Type	ISM spread spectrum radio, 902-928 MHz
Range	Up to 0.5 miles (800 m) with line of sight
Network addresses	8 unique addresses to avoid interference between multiple crosswalk locations
Compatibility	All AB family units

Physical Design

Design	Two piece system: beacon and solar engine
Color	Black, green or yellow Custom colors also available
Signal head & solar engine	6061-T6 powder coated aluminum
Weight	Approx — 68 lbs. (31 kg)
Available mounting for	Poles: 2" – 8" Side mounting

Warranty

5-year Limited Warranty for defects in workmanship and materials
(excludes batteries and vandalism)

Contact

JSF Technologies is backed by a select group of resellers around the globe. To find a representative in your region please contact us:



+1.250.544.1640
+1.800.990.2454
www.jsftech.com



www.solarwindenergy.com