






## Pedestrian-Activated Crosswalk Beacon: 7400 Series

AB-7408, AB-7412









### Applications

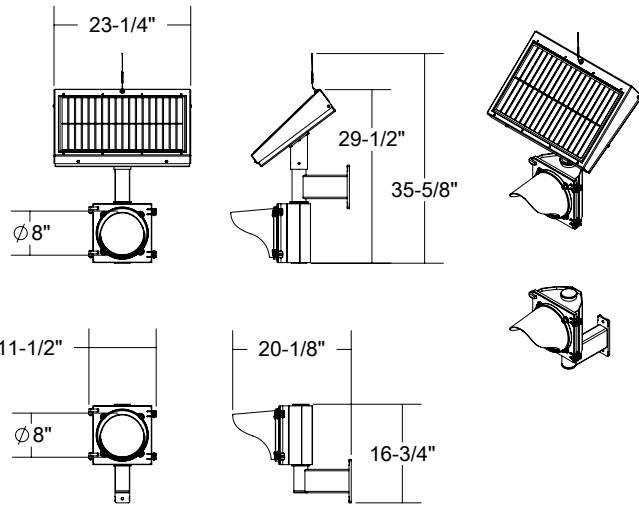
This pedestrian-activated or remote-activated crosswalk beacon is the perfect solution for temporary or permanent locations:

-  **Crosswalks** Great for any mid-block or uncontrolled crosswalk.
-  **Fire Stations** Give your emergency vehicles a chance to enter the roadway by alerting drivers.
-  **Parking Lots** From shopping malls to private industrial sites, they're all a hazard for pedestrians.
-  **Construction Sites** Aid pedestrians in crossing away from construction sites and closed sidewalks.
-  **College Campuses** Busy and packed with pedestrians.

### Benefits

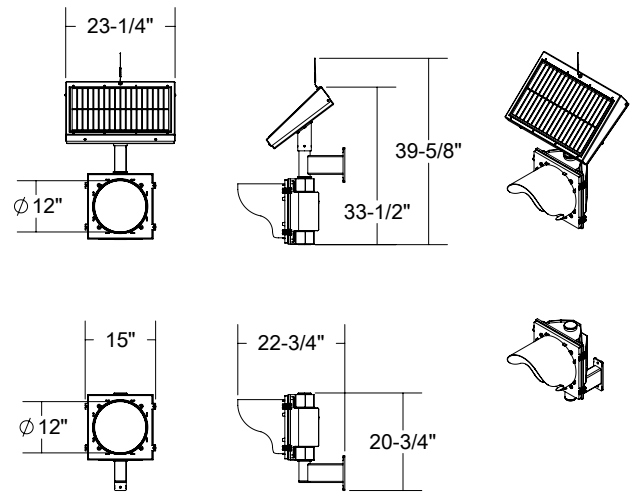
-  **High Quality** Designed and manufactured in North America.
-  **Clean Technology** Solar-powered and wireless to save on power bills and end roadway trenching.
-  **Flexible** Adjustable flash pattern and activation duration to accommodate varying traffic conditions.
-  **Reliable** Energy management system to ensure operation under all environmental conditions.
-  **Simple** Installs in minutes to minimize traffic disruption and allow for relocation and re-purposing.
-  **Elegant** Self-contained, cabinet-free, discrete design to enhance streetscapes and inhibit vandalism.

## AB-7408 Dual 8", vertical pole mounting.



Dimensions are in Inches  $\pm 1/16"$

## AB-7412 Dual 12", vertical pole mounting.



Dimensions are in Inches  $\pm 1/16"$

## Specifications

### System Overview

Certification	CSA and UL certified electrical components
Compliance	FHWA MUTCD compliant
Operation	Pedestrian push button or remote controlled
Flash patterns	MUTCD (0.5 second on, 0.5 second off) or JSF Tech High Visibility Strobe Pattern
Variations	Synchronized or Wig-Wag (alternating)
Operating temperature	-40°F to +165°F (-40°C to +74°C)
Controller input voltage	12 V DC
Controller output voltage	12 V DC
Solar panel	20 W nominal, 12 V, CSA certified
Battery storage	AGM 12 V, 20 Ah, UL certified, field replaceable
Alternate power	AC / Solar hybrid available

### Power Management

Rated usage	300 cycles per day, 25 second activation
Charged capacity	30 days at rated usage (without charging)
Auto brightness	6 stages of brightness for different light conditions and battery levels
Customizable	Automatic brightness disabled on request
Self monitoring	Visual notification of sub-optimal operation

### LED Module

Standard	ITE VTCSH-STD 2005
Lens	UV stabilized polycarbonate and Abrasion resistant
Size	8" or 12" diameter (200 mm or 300 mm)
LED color	Amber

### Communication

Type	ISM spread spectrum radio, 902-928 MHz
Range	0.5 miles (800 m)
Network addresses	8 unique addresses to avoid interference between multiple crosswalk locations
Compatibility	All AB family units

### Physical Design

Configuration	Fully self-contained
Color	Black, green or yellow
Solar engine	6061-T6 powder coated aluminum
Signal housing	Polycarbonate
Weight	Approx — 48–54 lbs. (22–24 kg)
Available mounting	Mid-pole side mount

### Warranty

5-year Limited Warranty for defects in workmanship and materials (excludes batteries and vandalism)

## Contact

JSF Technologies is backed by a select group of resellers around the globe. To find a representative in your region please contact us:



+1.250.544.1640  
+1.800.990.2454  
www.jsftech.com



www.solarwindenergy.com