














Applications

The 24-hour flashing beacon is the perfect solution for temporary or permanent locations such as:

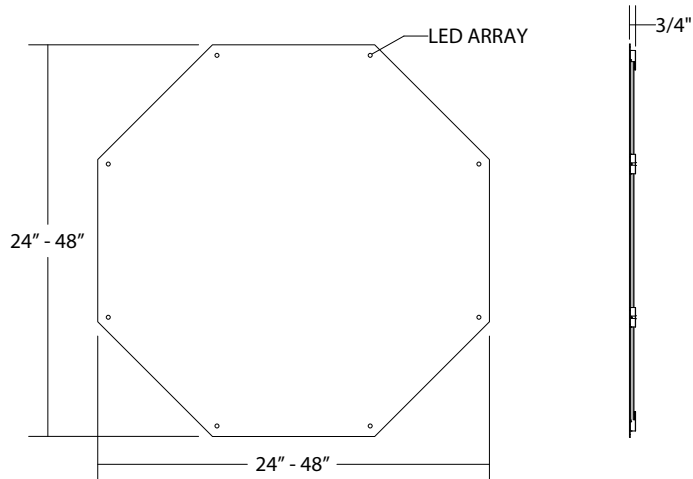
-  **Stop Signs** Draw attention to stop signs that go unnoticed by drivers.
-  **Warning Signs** Accent warning signs that convey critical information.
-  **New Signs** Highlight new signs for the first few weeks following installation.
-  **Speed Reduction Signs** Emphasize traffic speed signs in special zones or at transition points.
-  **Construction Zones** Enhance construction workers safety.

Benefits

-  **High Quality** Designed and manufactured in North America.
-  **Clean Technology** Solar-powered and wireless to save on power bills and end roadway trenching.
-  **Flexible** Adjustable flash pattern to meet regulatory requirements.
-  **Reliable** Energy management system to ensure operation under all environmental conditions.
-  **Simple** Installs in minutes to minimize traffic disruption and allow for relocation and re-purposing.
-  **Elegant** Self-contained, cabinet-free, discrete design to enhance streetscapes and inhibit vandalism.

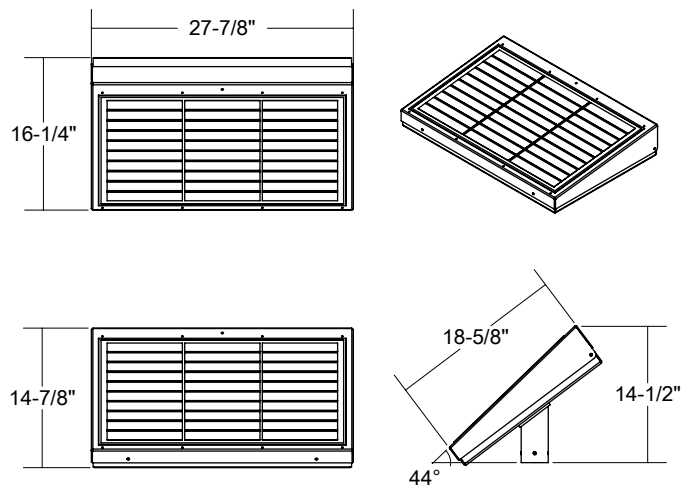
FL-5801-E: Solar Powered 24-Hour Flashing Stop Sign

Sign: 24", 30", 36" or 48"



Dimensions are in Inches $\pm 1/16''$

Solar Engine



Dimensions are in Inches $\pm 1/16''$

Specifications

System Overview

Certification	CSA and UL certified electrical components
Compliance	FHWA MUTCD compliant
Operation	Continuous, 24-hours a day, 365 days a year
Flash patterns	MUTCD (0.5 second on, 0.5 second off) or JSF Tech High Visibility Strobe Pattern
Operating temperature	-40°F to +165°F (-40°C to +74°C)
Controller input voltage	12 V DC
Controller output voltage	12 V DC
Solar panel	30 W nominal, 12 V, CSA certified
Battery storage	AGM 12 V, 30 Ah, UL certified, field replaceable
Alternate power	AC / Solar hybrid available

Power Management

Charged capacity	14 days (without charging)
Auto brightness	6 stages of brightness for different light conditions and battery levels
Customizable	Automatic brightness disabled on request
Self monitoring	Visual notification of sub-optimal operation

LED Module

Light output	102 lumens
Size	0.75" (20mm)
LED color	Red

Physical Design

Configuration	LED sign with separate solar engine
Solar engine	6061-T6 powder coated aluminum
Solar engine color	Black, green or yellow
Solar engine weight	Approx — 33 lbs. (15 kg)
Mounting options	Adjustable

Warranty

5-year Limited Warranty for defects in workmanship and materials (excludes batteries and vandalism)

Contact

JSF Technologies is backed by a select group of resellers around the globe. To find a representative in your region please contact us:



+1.250.544.1640
+1.800.990.2454
www.jsftech.com



www.solarwindenergy.com